

Product Details

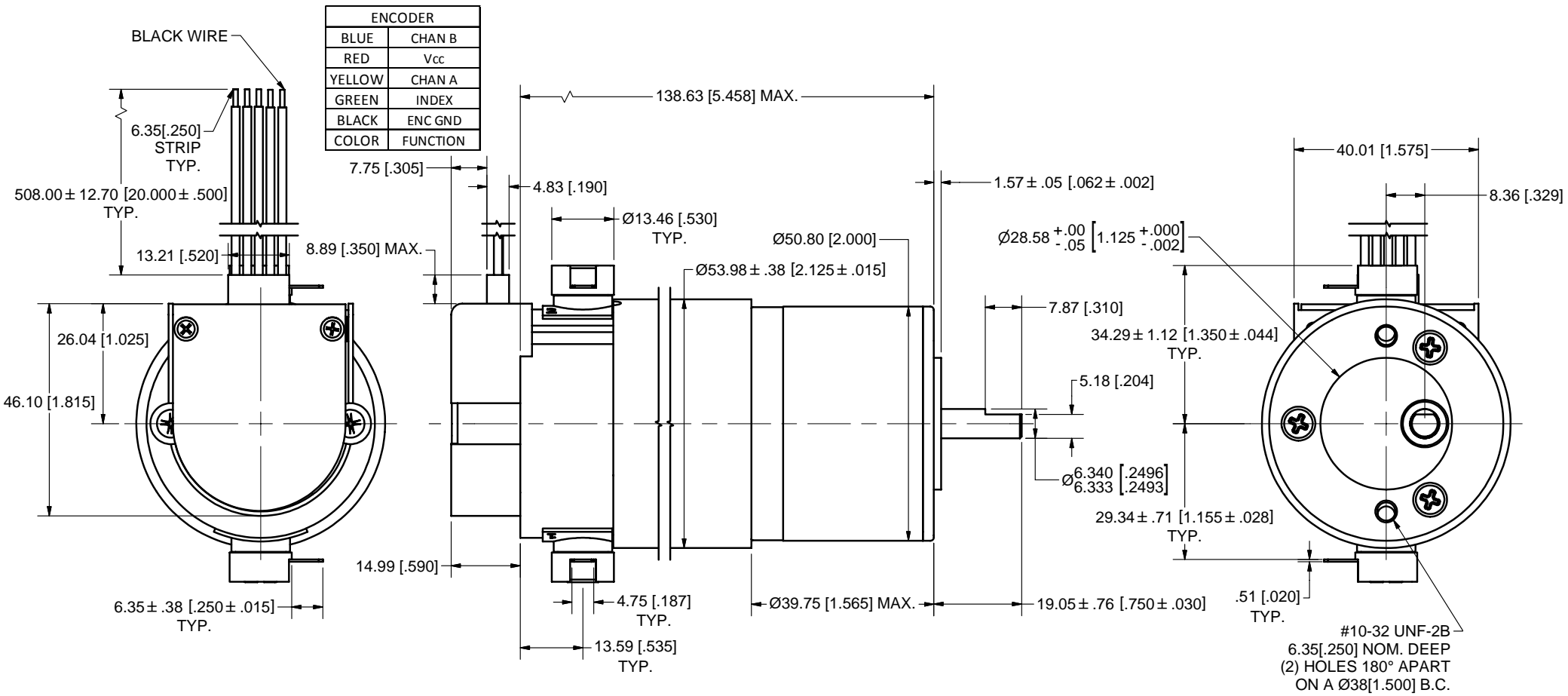
DC Gearmotor

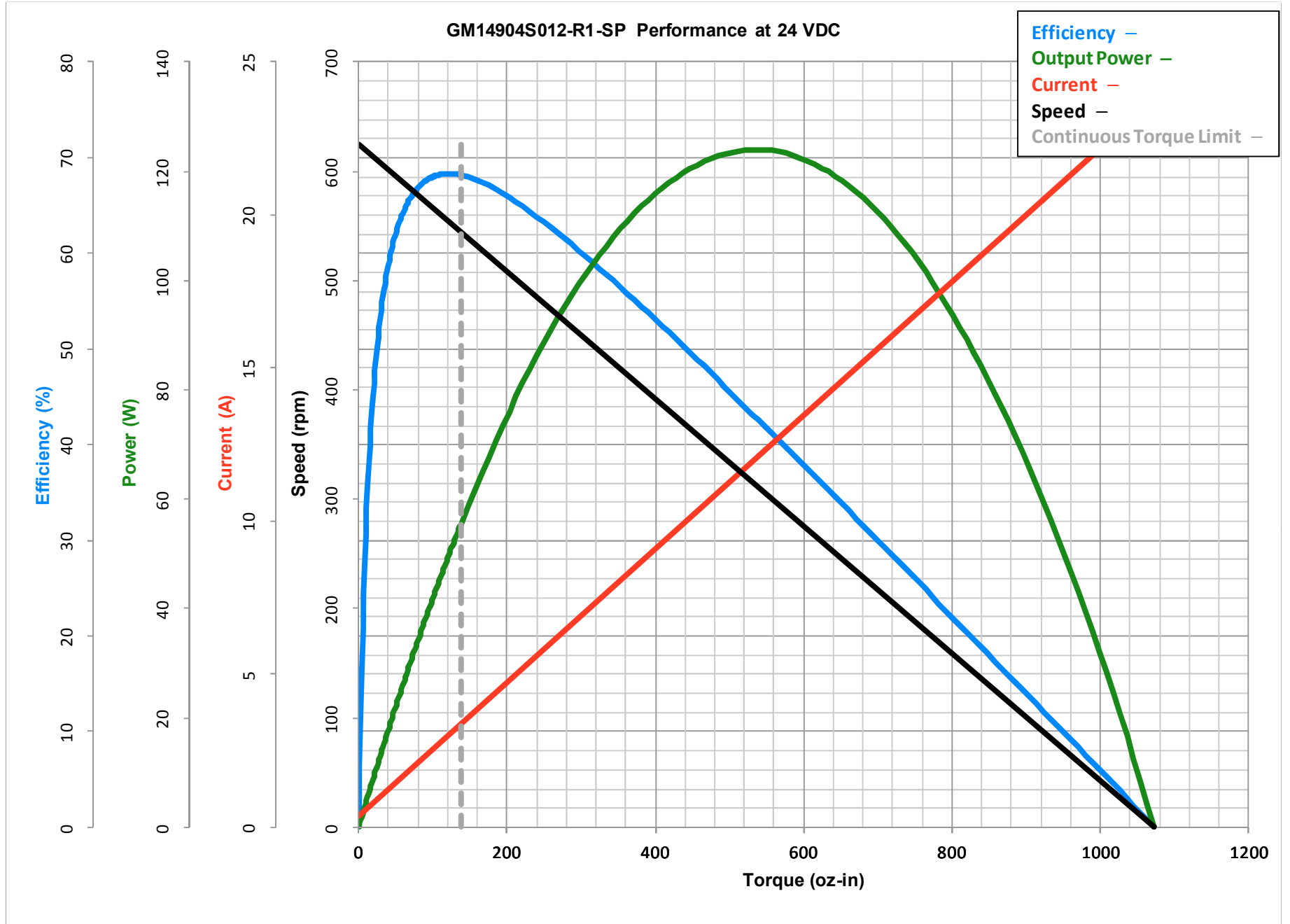
GM14904S012-R1-SP

Note: Product photo is for illustrative purposes. Please refer to Engineering Drawing for specifics.



Motor Series	Series GM14900 LO-COG Brush Commutated DC Gearmotors
Price (USD)	\$419.03
Frame Size (Mounting Face) (in)	2
Motor Frame Size (in)	2.125
Gear Frame Size (in)	2.000
Overall Body Length (in)	6.048
Supply Voltage (V)	24
Continuous Output Torque (oz-in)	140
Output Speed @ Cont. Torque (RPM)	536
Current @ Cont. Torque (A)	3.8
Continuous Output Power (W)	55
No Load Current (A)	0.39
No Load Output Speed (RPM)	612
Peak Current (A)	24
Peak Output Torque (oz-in)	1100
Motor Constant (oz-in/ \sqrt{W})	8.63
Motor Torque Constant (oz-in/A)	8.67
Motor Voltage Constant (V/krpm)	6.41
Terminal Resistance (Ohms)	1.01
Inductance (mH)	1.6
Coulomb Friction Torque (oz-in)	1.6
Viscous Damping Factor (oz-in/krpm)	0.18
Electrical Time Constant (ms)	1.6
Mechanical Time Constant (ms)	7
Thermal Time Constant (min)	29
Thermal Resistance ($^{\circ}C/Watt$)	7.7
Maximum Winding Temperature ($^{\circ}C$)	155
Rotor Inertia (oz-in-s ²)	0.0037
Output Bearing	Ball
Gear Series	G51A-HT
Gear Ratio (xx.x:1)	5.9
Gear Type	high torque spur
Gear Efficiency	0.9
Gear Maximum Torque (oz-in)	300
Encoder Series	E30B
Encoder Resolution (CPR)	500
Encoder Output Channels	3
Weight (Mass) (oz)	43
Voltage Note	n/a
Torque Warning	Warning: potential peak torque at rated voltage exceeds gearbox torque capacity. Care must be taken to limit the peak torque so as not to exceed the gearbox rating





All values are nominal at 25°C. Peak torque and peak current are theoretical values. Curves are shown for reference only. Visit www.pittman-motors.com.