

GM9234S031

Lo-Cog® DC Servo Gearmotor

Assembly Data	Symbol	Units	Value	
Reference Voltage	E	V	12	
No-Load Speed	S _{NL}	rpm (rad/s)	21	(2.2)
Continuous Torque (Max.) ¹	T _C	oz-in (N-m)	500	(3.5E+00)
Peak Torque (Stall) ²	T _{PK}	oz-in (N-m)	4199	(3.0E+01)
Weight	W _M	oz (g)	20.3	(577)
Motor Data				
Torque Constant	K _T	oz-in/A (N-m/A)	3.29	(2.32E-02)
Back-EMF Constant	K _E	V/krpm (V/rad/s)	2.43	(2.32E-02)
Resistance	R _T	Ω	1.26	
Inductance	L	mH	1.02	
No-Load Current	I _{NL}	A	0.26	
Peak Current (Stall) ²	I _P	A	9.52	
Motor Constant	K _M	oz-in/√W (N-m/√W)	3.01	(2.13E-02)
Friction Torque	T _F	oz-in (N-m)	0.60	(4.2E-03)
Rotor Inertia	J _M	oz-in-s ² (kg-m ²)	5.9E-04	(4.2E-06)
Electrical Time Constant	τ _E	ms	0.85	
Mechanical Time Constant	τ _M	ms	9.3	
Viscous Damping	D	oz-in/krpm (N-m-s)	0.039	(2.6E-06)
Damping Constant	K _D	oz-in/krpm (N-m-s)	6.7	(4.5E-04)
Maximum Winding Temperature	θ _{MAX}	°F (°C)	311	(155)
Thermal Impedance	R _{TH}	°F/watt (°C/watt)	62.8	(17.1)
Thermal Time Constant	τ _{TH}	min	12.0	
Gearbox Data				
Reduction Ratio			218.4	
Efficiency ³			0.73	
Maximum Allowable Torque		oz-in (N-m)	500	(3.53)
Encoder Data				
Channels			3	
Resolution		CPR	500	

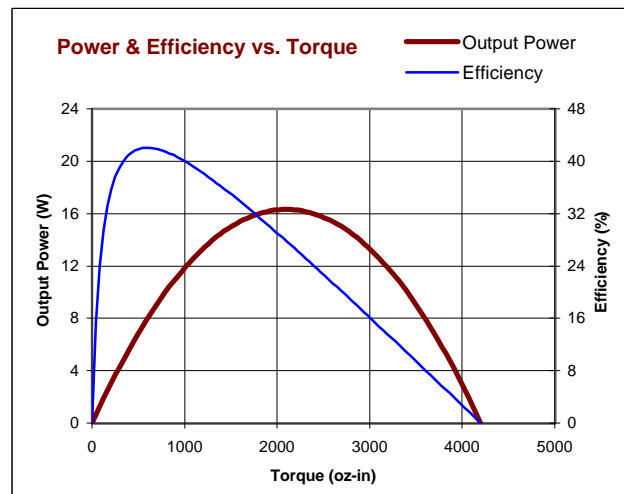
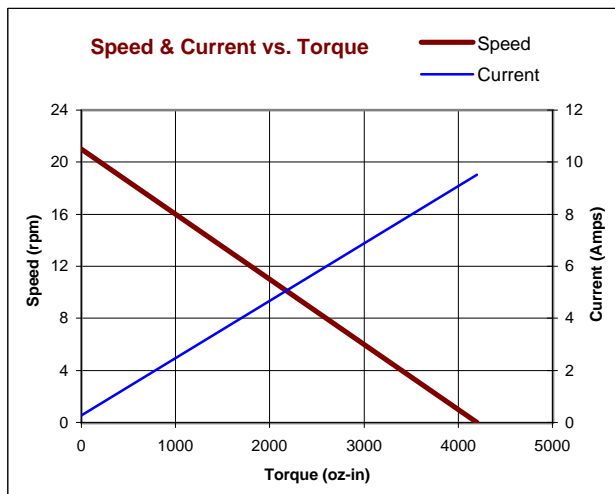
1 - Specified at max. winding temperature at 25°C ambient without heat sink. 2 - Theoretical values supplied for reference only.
3 - Effective gearbox efficiency for this unit improved by use of ball bearings.

Included Features

- 2-Pole Stator
- Ceramic Magnets
- Heavy-Gauge Steel Housing
- 7-Slot Armature
- Silicon Steel Laminations
- Stainless Steel Shaft
- Copper-Graphite Brushes
- Diamond Turned Commutator
- Motor Ball Bearings
- Output Ball Bearing
- Wide Face Gears

Customization Options

- Alternate Winding
- Sleeve or Ball Bearings
- Modified Output Shaft
- Custom Cable Assembly
- Special Brushes
- EMI/RFI Suppression
- Alternate Gear Material
- Special Lubricant
- Optional Encoder
- Fail-Safe Brake



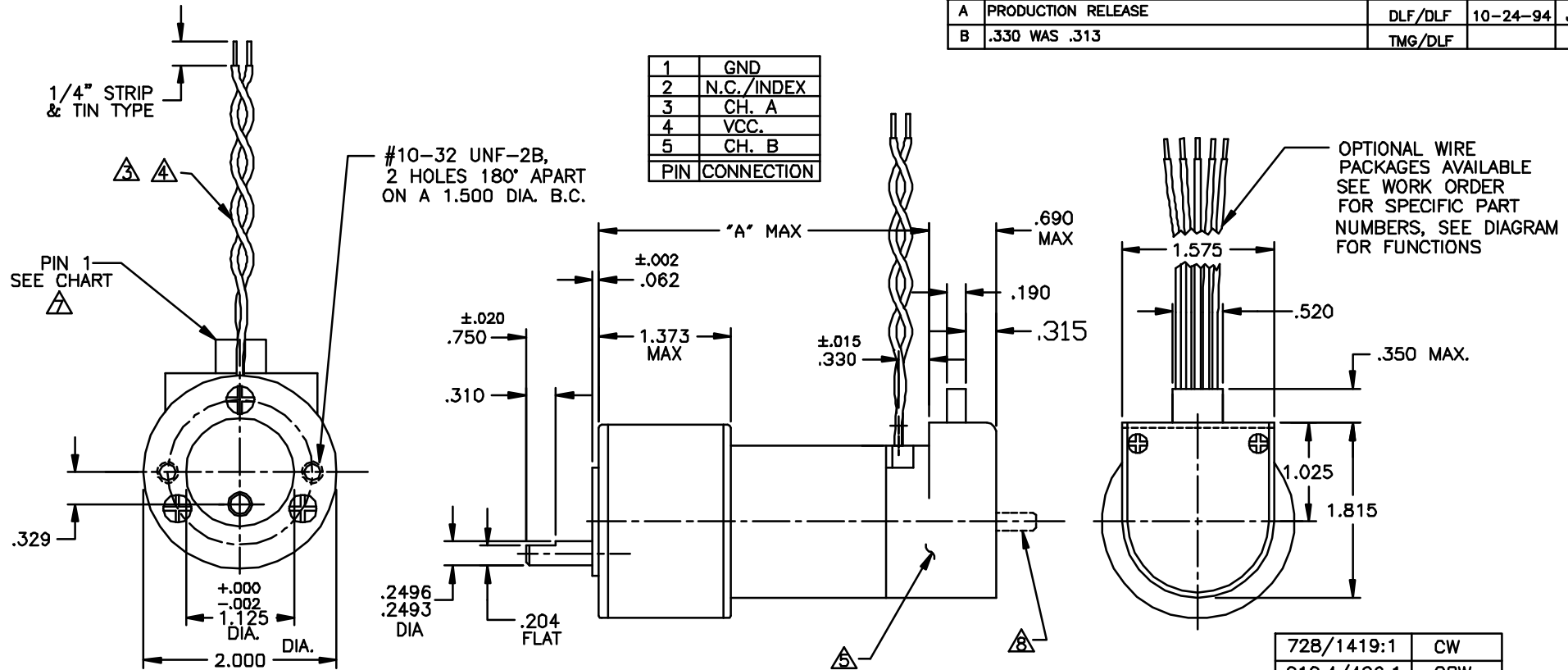
All values are nominal. Specifications subject to change without notice. Graphs are shown for reference only.

© 2001 Pittman.

NOTICE: CONFIDENTIAL PROPRIETARY INFORMATION THIS PRINT CONTAINS IDEAS, INFORMATION, AND INTELLECTUAL PROPERTY WHICH ARE THE EXCLUSIVE PROPERTY OF PITTMAN, DIVISION OF PENN ENGINEERING & MANUFACTURING CORP. RECIPIENT MUST KEEP THE INFORMATION DISCLOSED HEREIN CONFIDENTIAL AND RECIPIENT IS EXPRESSLY PROHIBITED FROM COPYING OR PUBLICATION OF THIS PRINT EXCEPT TO OTHERS IN THEIR ORGANIZATION ON A NEED-TO-KNOW BASIS.

REVISIONS				
LTR	DESCRIPTION	DRFT/ENGR	DATE	APPR
A	PRODUCTION RELEASE	DLF/DLF	10-24-94	JRM
B	.330 WAS .313	TMG/DLF		

1	GND
2	N.C./INDEX
3	CH. A
4	VCC.
5	CH. B
PIN CONNECTION	



- NOTES:
- OUTPUT SHAFT ROTATION IS PER CHART, FIGURED WHILE VIEWING MOUNTING END WITH (+) POSITIVE VOLTAGE APPLIED TO RED MOTOR WIRE.
 - ENDPLAY .020 MAX. ON OUTPUT SHAFT, .015 MAX. ON MOTOR SHAFT.
 - STANDARD LEADS ARE 22 AWG. (7X30), PVC INSULATION, UL STYLE 1569/1007 ONE LEAD IS RED, ONE BLACK.
 - STANDARD LEAD LENGTH IS 18 ± 1/2".
 - ENCLOSED IS A HEDS-91X0 OPTICAL ENCODER MODULE. INDEX PULSE OPTIONAL. SEE DATA SHEET FOR LINE COUNT.
 - MAX TORQUE GEARBOX IS TO 175 oz.in. STANDARD GEARING, 300 oz.in. HIGH-TORQUE GEARING, AND 500 oz.in. WIDE FACE GEARING.
 - MOLEX CENTER CRIMP TERMINAL HOUSING 2695 SERIES, WILL ACCEPT MOLEX MATING TERMINALS 2759, PITTMAN P/N: 81-54-1.
 - OPTIONAL REAR SHAFT EXTENSION AVAILABLE (.1564/.1561 DIA.).

GM92X6	4.289
GM92X5	3.939
GM92X4	3.639
GM92X3	3.439
GM92X2	3.064
MODEL No.	"A" MAX

728/1419:1	CW
218.4/426:1	CCW
65.5/127.7:1	CW
19.7/38.3:1	CCW
5.9/11.5:1	CW
GEAR RATIO	SHAFT ROTATION

UNLESS OTHERWISE SPECIFIED DIMENSIONS ARE IN INCHES TOLERANCES ARE: FRACTION DECIMAL ANGLES ±1/84 ±.015 ±1° ±.010 ±1° ±.005 ±1° BREAK ALL SHARP EDGES	FILE: 150\413
DRAFTED BY DLF	DATE 15 AUG 94
ENGINEERED BY DLF	15 AUG 94
APPROVED BY JR MELA	10-24-94
MATERIAL:	NEXT ASSY:
FINISH:	USED ON:

PITTMAN
A Division of Penn Engineering & Manufacturing Corp.
2800 East Main Street, Allentown, PA 18106

TITLE: OUTLINE & MOUNTING DIMENSIONS GM9200 SERIES MOTOR WITH H.P. ENCODER MODULE 9100

DWG. NO. **B-150-413** REV. **B**

SCALE: NONE SHEET 1 OF 1