

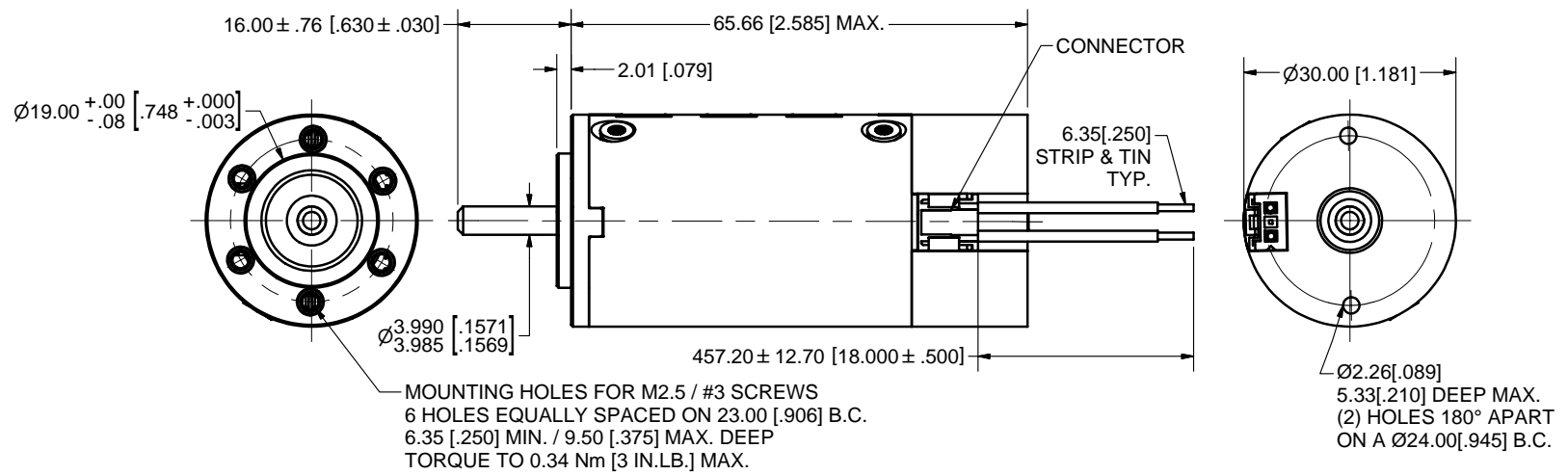
Product Details

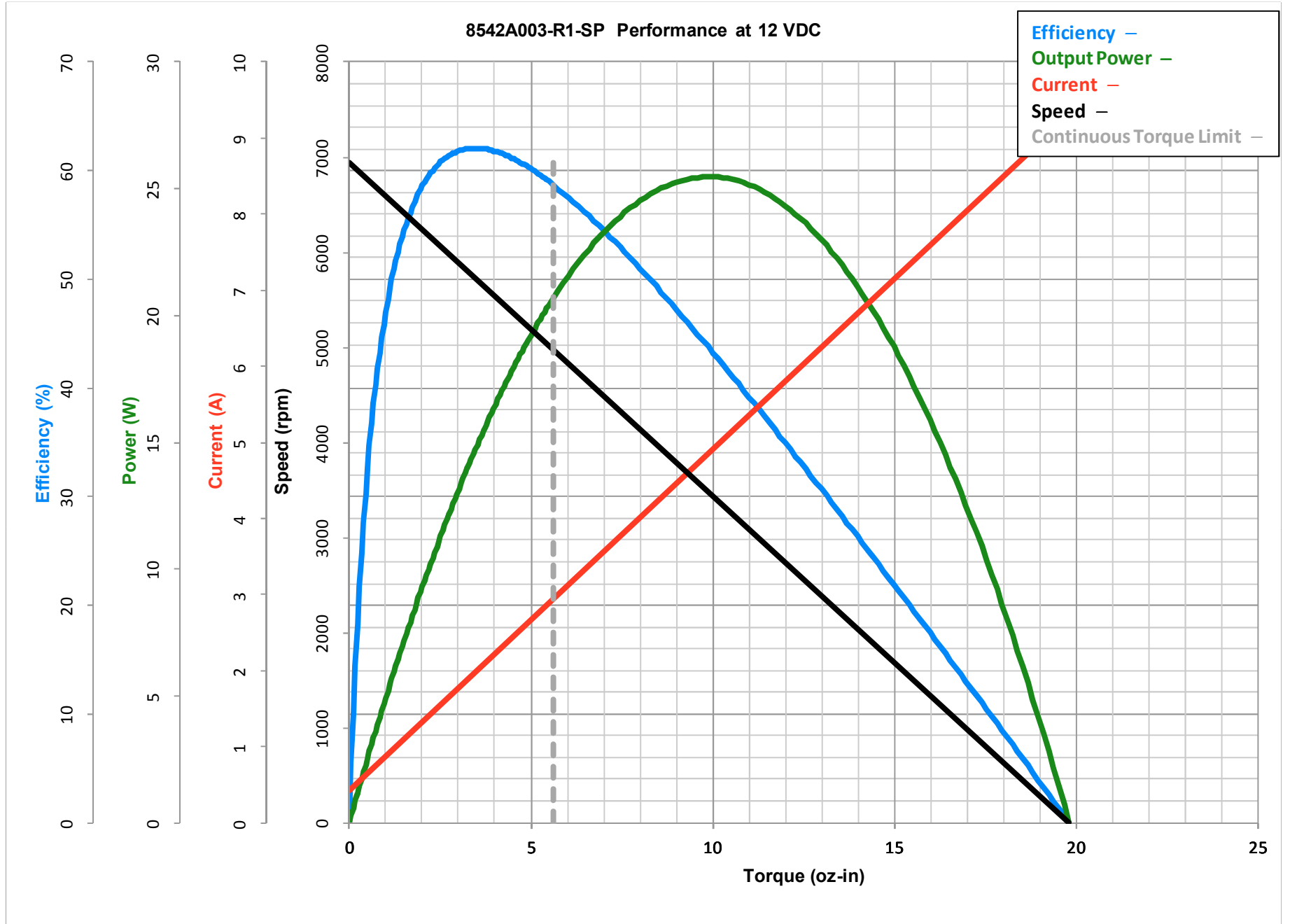
Brush DC Motor 8542A003-R1-SP

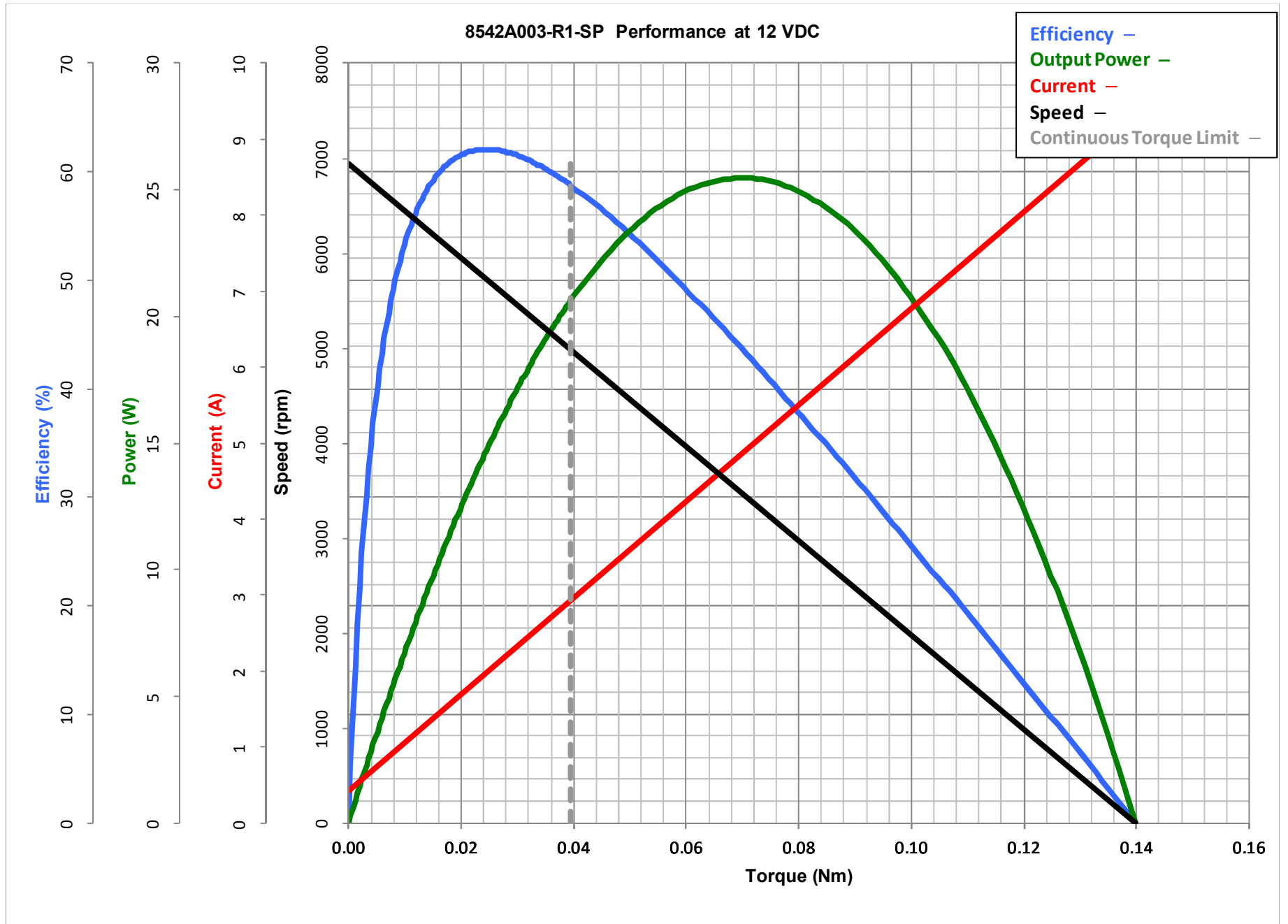
Note: Product photo is for illustrative purposes. Please refer to Engineering Drawing for specifics.



Motor Series	Series 8540 LO-COG Brush Commutated DC Motors
Price (USD)	\$114.86
Frame Size (Mounting Face) (in)	1.181
Motor Frame Size (in)	1.181
Gear Frame Size (in)	n/a
Overall Body Length (in)	2.585
Supply Voltage (V)	12
Continuous Output Torque (oz-in)	5.6
Output Speed @ Cont. Torque (RPM)	3870
Current @ Cont. Torque (A)	3.2
Continuous Output Power (W)	16
No Load Current (A)	0.42
No Load Output Speed (RPM)	6950
Peak Current (A)	9.3
Peak Output Torque (oz-in)	20
Motor Constant (oz-in/ \sqrt{W})	1.96
Motor Torque Constant (oz-in/A)	2.23
Motor Voltage Constant (V/krpm)	1.65
Terminal Resistance (Ohms)	1.29
Inductance (mH)	0.79
Coulomb Friction Torque (oz-in)	0.6
Viscous Damping Factor (oz-in/krpm)	0.036
Electrical Time Constant (ms)	0.61
Mechanical Time Constant (ms)	19
Thermal Time Constant (min)	13
Thermal Resistance ($^{\circ}C/Watt$)	14
Maximum Winding Temperature ($^{\circ}C$)	155
Rotor Inertia (oz-in-s ²)	0.00052
Output Bearing	Ball
Gear Series	n/a
Gear Ratio (xx.x:1)	n/a
Gear Type	n/a
Gear Efficiency	n/a
Gear Maximum Torque (oz-in)	n/a
Encoder Series	n/a
Encoder Resolution (CPR)	n/a
Encoder Output Channels	n/a
Weight (Mass) (oz)	6.1
Voltage Note	n/a
Torque Warning	n/a







All values are nominal at 25°C. Peak torque and peak current are theoretical values. Curves are shown for reference only. Visit www.pittman-motors.com.